

Vacuum pump MINI L28, conn. B, NBR sealings, non-return valve

Article number: 0103062



- Large vacuum flows
- Small size and low weight
- Good for handling porous materials or if leakage is present
- Available with connection plate in aluminium (B1) and composite PA (B, C)

Technical data

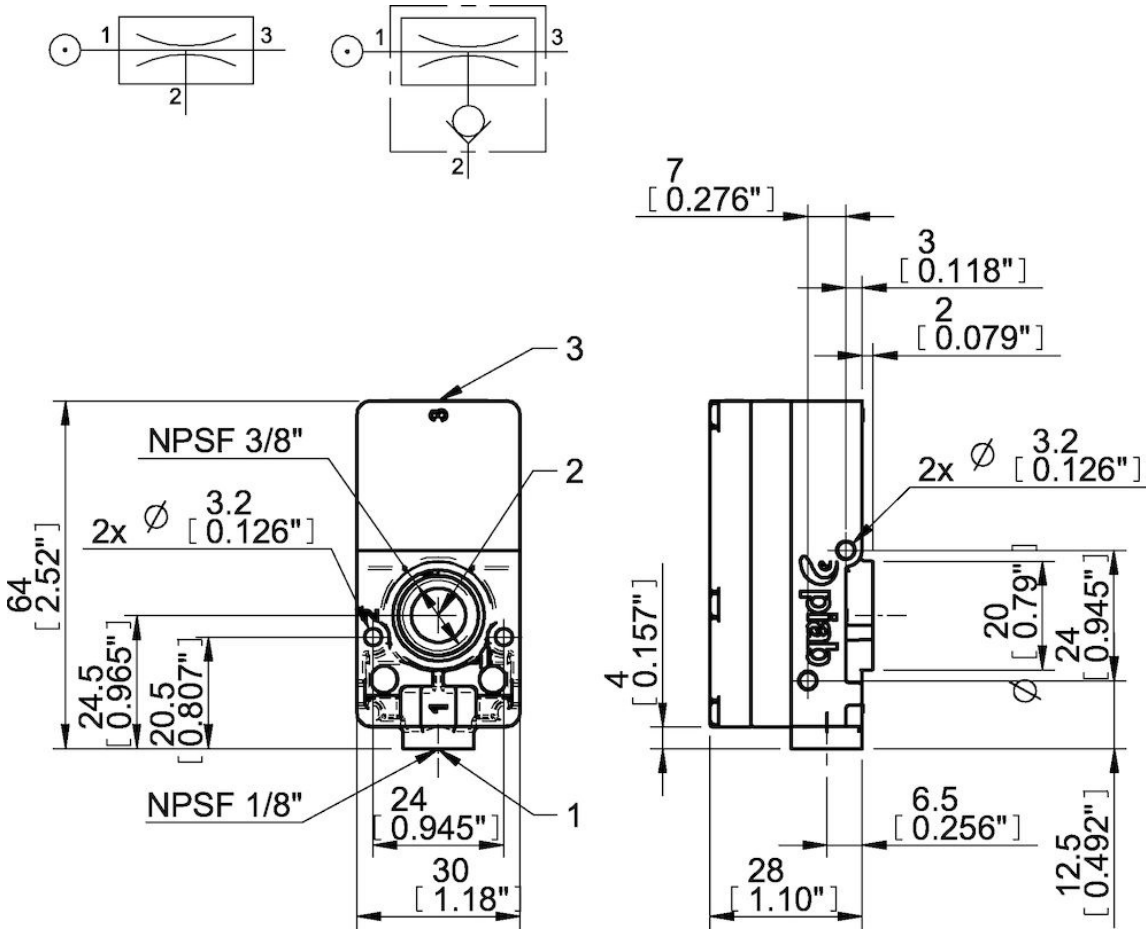
Description	Unit	Value
Material	-	Nitrile (NBR), PA, POM, SS
Temperature, max.	°C	80
Temperature, min.	°C	-20
Weight, max.	g	74
Weight, min.	g	54
Feed pressure, max.	MPa	0.7
Noise level, max.	dBA	68
Noise level, min.	dBA	57

Performance

Feed pressure MPa	Air consumption Nl/s	Vacuum flow (Nl/s) at different vacuum levels (-kPa)													Max vacuum kPa	
		0	10	20	30	40	50	60	70	75	80	90	95	99		
0.6	2	2.6	1.7	1.1	0.89	0.74	0.55	0.36	0.17	0	0	0	0	0	0	≥75

Feed pressure MPa	Air consumption Nl/s	Evacuation time (s/l) to reach different vacuum levels (-kPa)													Max vacuum kPa	
		10	20	30	40	50	60	70	80	90	95	99	99.5	100.3		
0.6	2	0.047	0.11	0.2	0.32	0.46	0.69	1.1	0	0	0	0	0	0	0	≥75

Dimensional drawings



Values specified in this datasheet are tested at (unless otherwise stated):

- Room temperature (20°C [68°F] ± 3°C [5.5°F]).
- Standard atmosphere (101.3 [29.9 inHg] ± 1.0 kPa [0.3 inHg]).
- Compressed air quality, DIN ISO 8573-1 class 4.

Tolerance and accuracy:

- Feed pressure tolerance ±0.02 MPa [2.9 psi]
- Vacuum flow/evacuation time accuracy ±10%.

Spare parts

- 3201097 | Sealing kit MINI 5-28, NBR
- 3201097E | Sealing kit MINI 5-28, EPDM
- 3201097V | Sealing kit MINI 5-28, Viton®