

## Suction cup BL20-2 Silicone

Article number: 0101116



- Suitable for level adjustment.
- Lifting movement to separate small and thin objects.
- Less suitable when the lifting force is parallel to the surface of the object.

### Technical data

| Description              | Unit            | Value          |
|--------------------------|-----------------|----------------|
| Suction cup shape        | -               | Multibellows   |
| Application              | -               | Bag handling   |
| Suction cup design       | -               | Round          |
| Characteristics          | -               | Bag handling   |
| Material                 | -               | Silicone (SIL) |
| Weight, min.             | g               | 3              |
| Suction cup model        | -               | BL-2           |
| Volume                   | cm <sup>3</sup> | 4              |
| Height                   | mm              | 22.9           |
| Outer diameter, min.     | mm              | 20             |
| Outer diameter, actuated | mm              | 20             |
| Fitting size             | -               | None           |
| Fitting option           | -               | None           |
| Fitting style            | -               | None           |
| Fitting type             | -               | None           |
| Suction cup model        | -               | BL20-2         |
| Movement, vertical max.  | mm              | 12.6           |
| Curve radius, min.       | mm              | 4              |

### Performance - Lifting forces

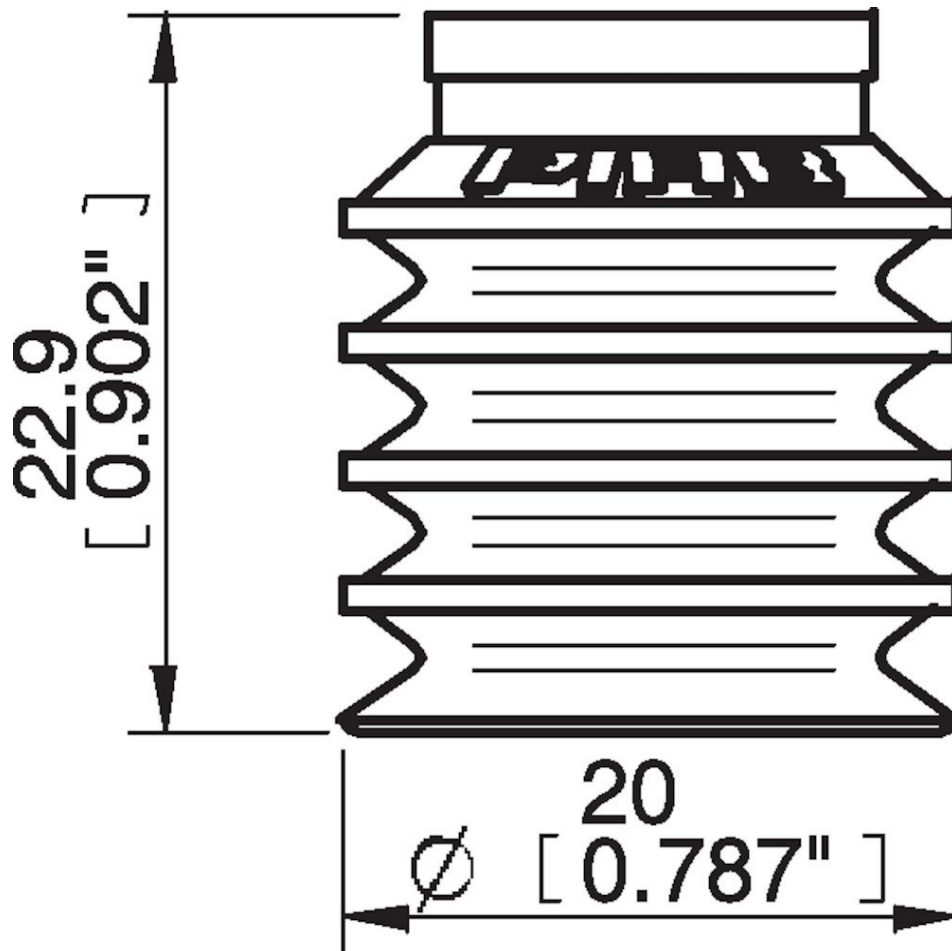
| BL20-2  | Vertical (N) | Parallel (N) |
|---------|--------------|--------------|
| 20 -kPa | 2.2          |              |
| 60 -kPa | 7            |              |

| Material               |                           |
|------------------------|---------------------------|
| Name                   | Silicone, SIL 50° Shore A |
| Colour                 | Red                       |
| Temperature, min.   °C | -40                       |
| Temperature max.   °C  | 200                       |
| Hardness   °Shore A    | 50                        |

### Material resistance

|                    |           |
|--------------------|-----------|
| Alcohol            | Good      |
| Concentrated acids | Poor      |
| Ethanol            | n/a       |
| Hydrolysis         | Fair      |
| Methanol           | n/a       |
| Oil                | Poor      |
| Oxidation          | Excellent |
| Petrol             | Poor      |
| Wear resistance    | Good      |
| Weather and ozone  | Excellent |

### Dimensional drawings



### Values specified in this data sheet are tested at (unless otherwise stated):

- Room temperature (20°C [68°F] ± 3°C [5.5°F]).
- Standard atmosphere (101.3 [29.9 inHg] ± 1.0 kPa [0.3 inHg]).
- Relative humidity 20-70%.
- Compressed air quality, DIN ISO 8573-1 class 4.

## Accessories

0100260 | Fitting 5xM5 female

0101152 | Fitting G1/8" male/M5 female, with mesh filter

3150196 | Fitting G1/8" male/M5 female, PA

3250003 | Fitting M5 female

3250004 | Fitting G1/8" male/M5 female

3250085 | Fitting G1/8" male, with mesh filter

3250088 | Fitting 1/8" NPT male, with mesh filter

3251001 | Fitting M5 female, with dual flow control valve

3251003 | Fitting 1/8" NPT male, with dual flow control valve

3251004 | Fitting G1/8" male/M5 female, with dual flow control valve

3251005 | Fitting 5xM5 female, with dual flow control valve

3150071 | Strengthening ring set BL20, Set of 4