

Vacuum pump MINI M20L, conn. C, NBR sealings

Article number: 0102767



- Medium vacuum levels to 84 -kPa
- Small size and low weight
- Operates at only 0.38 MPa
- Available with connection plate in aluminium (B1) and composite PA (B, C)

Technical data

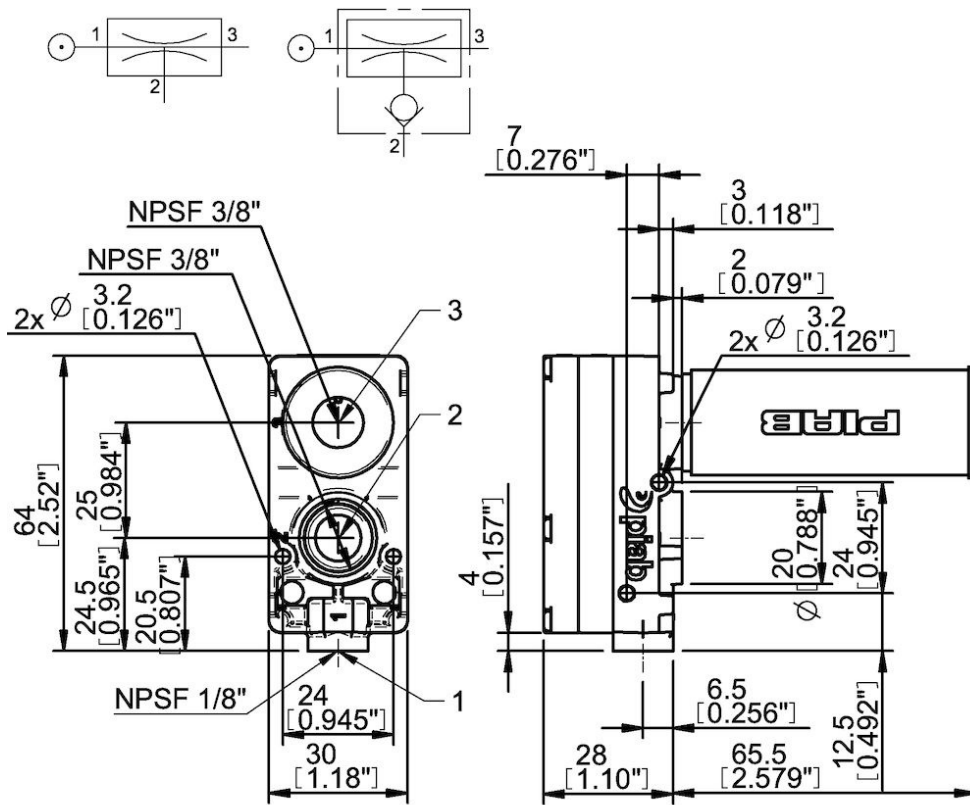
Description	Unit	Value
Material	-	ABS, Al, Nitrile (NBR), PA, POM, SS
Temperature, max.	°C	80
Temperature, min.	°C	-20
Weight, max.	g	74
Weight, min.	g	57.5
Feed pressure, max.	MPa	0.7
Noise level, max.	dBA	68
Noise level, min.	dBA	57

Performance

Feed pressure MPa	Air consumption Nl/s	Vacuum flow (Nl/s) at different vacuum levels (-kPa)													Max vacuum kPa
		0	10	20	30	40	50	60	70	75	80	90	95	99	
0.38	1.5	2	1.2	0.76	0.67	0.53	0.41	0.33	0.19	0	0.02	0	0	0	≥81
0.6	2.2	2.4	1.7	0.95	0.57	0.48	0.38	0.29	0.19	0	0.06	0	0	0	≥84

Feed pressure MPa	Air consumption Nl/s	Evacuation time (s/l) to reach different vacuum levels (-kPa)													Max vacuum kPa
		10	20	30	40	50	60	70	80	90	95	99	99.5	100.3	
0.38	1.5	0.052	0.14	0.26	0.42	0.64	1	1.7	3.7	0	0	0	0	0	≥81
0.6	2.2	0.038	0.1	0.24	0.43	0.68	1	1.5	2.5	0	0	0	0	0	≥84

Dimensional drawings



Values specified in this datasheet are tested at (unless otherwise stated):

- Room temperature (20°C [68°F] ± 3°C [5.5°F]).
- Standard atmosphere (101.3 [29.9 inHg] ± 1.0 kPa [0.3 inHg]).
- Compressed air quality, DIN ISO 8573-1 class 4.

Tolerance and accuracy:

- Feed pressure tolerance ±0.02 MPa [2.9 psi]
- Vacuum flow/evacuation time accuracy ±10%.

Spare parts

- 3201097 | Sealing kit MINI 5-28, NBR
- 3201097E | Sealing kit MINI 5-28, EPDM
- 3201097V | Sealing kit MINI 5-28, Viton®