

## Vacuplus MIDI Xi40-2 x2

Article number: 0223802



- Small and compact sizes
- Symmetric vacuum interfaces on top and bottom ensures flexible installation
- Patented COAX® technology

### Technical data

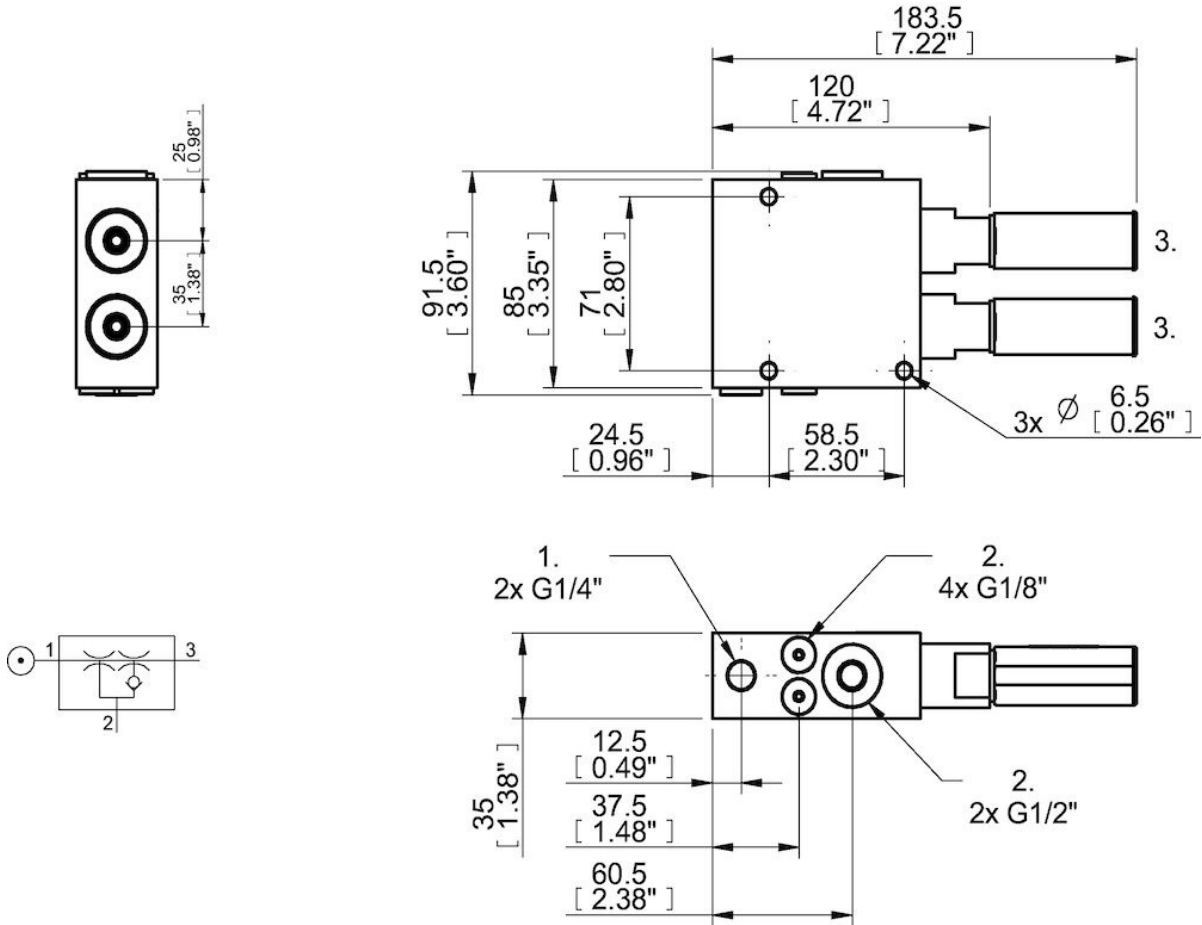
Description	Unit	Value
Material	-	Al, Nitrile (NBR), POM, SS
Temperature, max.	°C	50
Temperature, min.	°C	-10
Weight, max.	g	418
Feed pressure, max.	MPa	0.7
Noise level, max.	dBA	73
Noise level, min.	dBA	63

### Performance

Feed pressure MPa	Air consumption Nl/s	Vacuum flow (Nl/s) at different vacuum levels (-kPa)													Max vacuum kPa
		0	10	20	30	40	50	60	70	75	80	90	95	99	
0.45	3.66	5.6	4.6	3.2	2	1.46	1.16	0.86	0.64	0	0.36	0.06	0	0	≥95

Feed pressure MPa	Air consumption Nl/s	Evacuation time (s/l) to reach different vacuum levels (-kPa)												Max vacuum kPa	
		10	20	30	40	50	60	70	80	90	95	99	99.5		100.3
0.45	3.66	0.02	0.045	0.085	0.14	0.22	0.315	0.45	0.65	1.15	0	0	0	0	≥95

## Dimensional drawings



Values specified in this datasheet are tested at (unless otherwise stated):

- Room temperature (20°C [68°F] ± 3°C [5.5°F]).
- Standard atmosphere (101.3 [29.9 inHg] ± 1.0 kPa [0.3 inHg]).
- Compressed air quality, DIN ISO 8573-1 class 4.

Tolerance and accuracy:

- Feed pressure tolerance ±0.02 MPa [2.9 psi]
- Vacuum flow/evacuation time accuracy ±10%.