

John Guest MDPE Compression Stop Tap

Allows for the control and isolation of a cold water system

Overview

John Guest MDPE Compression Stop Tap is designed to provide reliable isolation control for cold water systems.

Manufactured with a compact and durable design, it is suited for installations both above and below ground.

Supplied pre-assembled and installation-ready, it offers a quick and efficient solution without the need for specialist tools or heat-based joining methods. The demountable connection makes it easy to work with in the ground during maintenance or alteration of an existing setup.

Features & Benefits

- Durable MDPE Compression Stop Tap
- Ease of operation with a simple yet effective screw-down stop tap, featuring a wide-head handle for added leverage
- Strong compression connection for a leak-free joint without the need for heat or chemicals
- Quick and easy to install and demount without the need for specialist tools
- High-grade polypropylene body for durability and high impact resistance
- Corrosion-resistant and inhibits biological growth, making it suitable for outdoor and underground use
- Compatible with MDPE pipes only
- Suitable for cold water use only



Product code	Description	Bag QTY
UGCF65STV20	John Guest MDPE Compression Stop Tap - 20mm	N/A
UGCF65STV25	John Guest MDPE Compression Stop Tap - 25mm	N/A
UGCF65STV32	John Guest MDPE Compression Stop Tap - 32mm	N/A



John Guest MDPE Compression Stop Tap

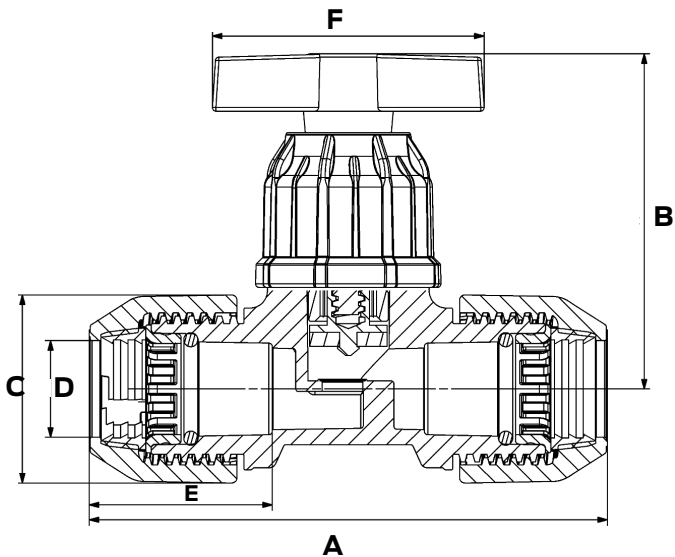
Operating Pressure & Temperature

Fittings are suitable for working pressures up to 16 bar at 20°C

Materials

Handle	Acrylonitrile Butadiene Styrene (ABS)
Body	Polypropylene Copolymer (PP-B)
O-Ring	Nitrile rubber (NBR 70)
Insert Sleeve	Polypropylene Copolymer (PP-B)
Split Ring	Polyacetal (POM)
Compression Nut	Polypropylene Copolymer (PP-B)
Cartridge	Brass

Dimensions – All measurements in mm unless otherwise stated



Product Code	Size	A	B	C	D	E	F
UGCF65STV20	20mm	133.5	94.5	46.0	22.0	47.0	77.5
UGCF65STV25	25mm	145.5	95.5	52.5	27.0	51.5	77.5
UGCF65STV32	32mm	175.0	98.5	62.5	34.0	62.0	77.5