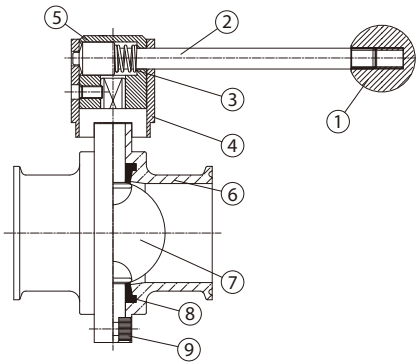




Butterfly Valves



3A Clamp End With St.St Pull Handle, 4 Position



NO.	PARTS NAME
1	KNOB
2	STEEL-BAR
3	SPRING ST.ST
4	FIXED PIECE
5	HOLDER
6	BODY
7	DISC
8	EPDM RUBBER SEAT
9	SCREW BOLT

Torque for Full Open/Close

1.0"	< 9.8 N.m
1.5"	< 9.8 N.m
2.0"	13 N.m
2.5"	15 N.m
3.0"	20 N.m
4.0"	30 N.m
6.0"	70 N.m

*1kgf-m = 9.8 N.m = 86.8 lbf-in = 7.23 lbf-ft



Width Range of CSE Butterfly Valve-C & C Type

Body:SUS304、316、316L material made out from precision CNC milling machined.

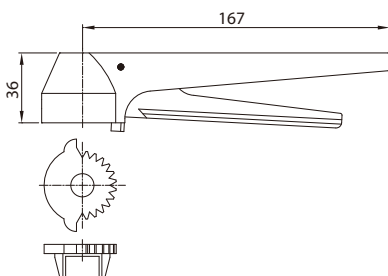
Body can be changeable, and low torque. BS、SMS、DIN、3A Weld end and Male/Male end and Clamp end.

Disk: Made out from full machined, high polished. Ra less than 0.6 um. 9.5mm and 8x12mm, 12x12mm head for USA and Europe required. Electropolished and PTFE coating can be Required.

Handle: Different nylon re-forced and stainless steel handle gripper, pull, Press type.

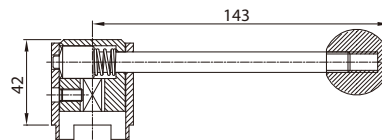
From 2 Position-12 Position, designed for your width range and beautiful choice.

GRIPPER HANDLE 12 POSITION-G12 (NYLON & STAINLESS)



Can fit □9.4x9.4 and □Ø12x8 or □12x12

PULL HANDLE 4 POSITION-P4

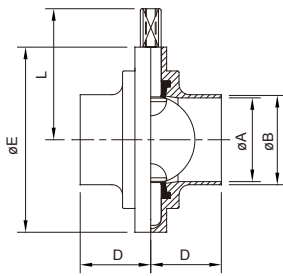


Can fit □9.4x9.4 and □Ø12x8 or □12x12

Other Handle

Full Forged Butterfly Valves

Weld End



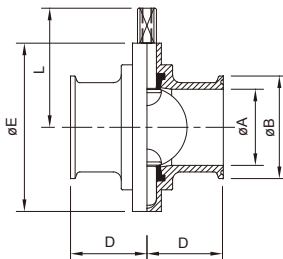
DIN WELD BUTTERFLY VALVE

SIZE	ØA	ØB	D	ØE	L
DN28	25	28	34	79	61
DN34	31	34	38	85	64.3
DN40	37	40	38	90	74.3
DN50	49	52	40	105	77.6
DN65	66	70	41	125	84.8
DN85	81	85	42	137	91.6
DN104	100	104	44	157	101.7

3A/BS/SMS WELD BUTTERFLY VALVE

SIZE	ØA	ØB	SIZE	ØA	ØB	D	ØE	L
1/2"	9.4	12.7	—	—	—	34	79	61
3/4"	15.75	19.05	—	—	—	34	79	61
1.0"	22.1	25.4	DN25	22.5	25	34	79	61
1.5"	34.8	38.1	DN38	35.4	38	38	85	64.3
2.0"	47.5	50.8	DN51	48.0	51	40	105	74.3
2.5"	60.2	63.5	DN63	60.2	63.5	40	112	77.6
3.0"	72.9	76.2	DN76	72.1	76.1	41	125	84.8
4.0"	97.4	101.6	DN104	100	104	44	157	101.7
6.0"	146.8	152.4	—	—	—	40	216.5	138.9

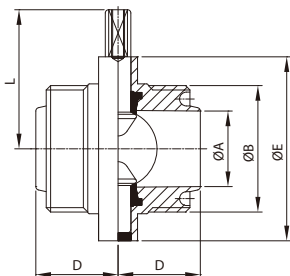
Clamp End



3A CLAMP BUTTERFLY VALVE

SIZE	ØA	ØB	D	ØE	L
1/2"	9.4	25.2	34	79	61
3/4"	15.75	25.2	34	79	61
1.0"	22.1	50.5	33	79	61
1.5"	34.8	50.5	33	85	64.3
2.0"	47.5	64.0	35	105	74.3
2.5"	60.2	77.5	35	112	77.6
3.0"	72.9	91.0	38	125	84.8
4.0"	97.4	119.0	38	157	101.7
6.0"	146.86	166.8	70	216.5	132.5

Male End



RJT Male/Male Butterfly Valves

SIZE	ØA	B	D	ØE	L
1.0"	22.1	45.72x8T WHIT	34	79	61
1.5"	34.9	58.42x8T WHIT	38	85	64.3
2.0"	47.6	72.72x6T WHIT	40	105	74.3
2.5"	60.3	85.42x6T WHIT	40	112	77.6
3.0"	73	98.12x6T WHIT	41	125	84.8
4.0"	97.6	123.52x6T WHIT	50	157	101.7

