



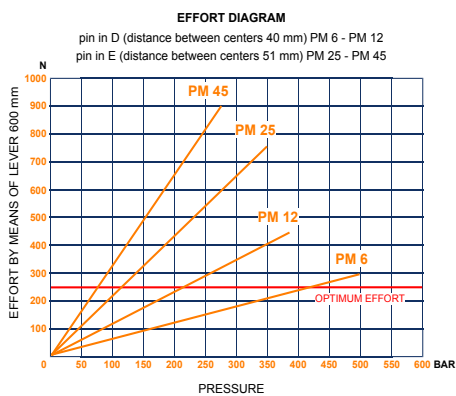
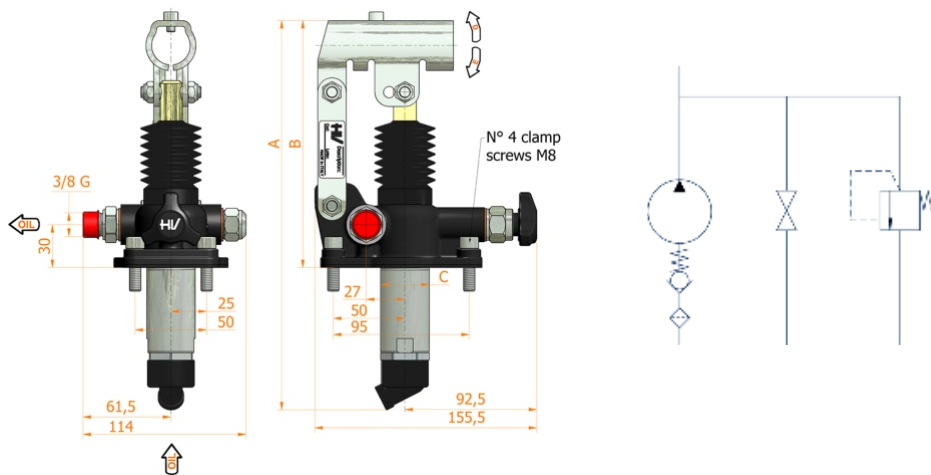
# Hydraulic Hand Pumps

## PM 6-12-25-45 byB-s

with release hand knob with pressure relief valve double acting hand pump for single acting cylinder for fixing to tank

### Specifications:

- Cast iron body
- Piston treated with Niploy
- White zinc plated support lever
- Lever connection  $\varnothing 27$
- White zinc plated external parts
- Standard colour black
- Oil tank mounting kit included
- Pressure relief valve standard setting: 100 bar



Part Code	Displacement cm <sup>3</sup>	A mm	B mm	C mm	D °	E °	Actual Displacement cm <sup>3</sup>	Pressure Bar		Mass kg
								Optimal	Max	
HHP-02	25	273	172	34	30	30	25,280	120	350	2950