

Suction cup B40 Silicone FCM

Article number: 0200408



- The silicone material complies with FDA 21 CFR 177.2600 & EU 1935/2004.
- Suitable for level adjustment. Several short bellows in one lifting device can handle objects with height differences and varying shapes, for example embossed or corrugated plates.
- The lifting movement can be used to separate small and thin objects.
- Only lightweight objects should be handled when the lifting force is parallel to the surface of the object, in order to achieve good precision and safe lifting movement.

Technical data

| Description | Unit | Value |
|--------------------------|-----------------|---|
| Suction cup shape | - | Bellows |
| Application | - | Food contact materials (FDA & EU), non-detectable |
| Suction cup design | - | Round |
| Characteristics | - | Food contact materials (FDA & EU), non-detectable |
| Material | - | Silicone (SIL) |
| Weight, min. | g | 10 |
| Suction cup model | - | B |
| Volume | cm ³ | 15 |
| Height | mm | 28 |
| Outer diameter, min. | mm | 45.7 |
| Outer diameter, actuated | mm | 49.5 |
| Fitting size | - | None |
| Fitting option | - | None |
| Fitting style | - | None |
| Fitting type | - | None |
| Suction cup model | - | B40 |
| Movement, vertical max. | mm | 13.5 |
| Curve radius, min. | mm | 20 |

Performance - Lifting forces

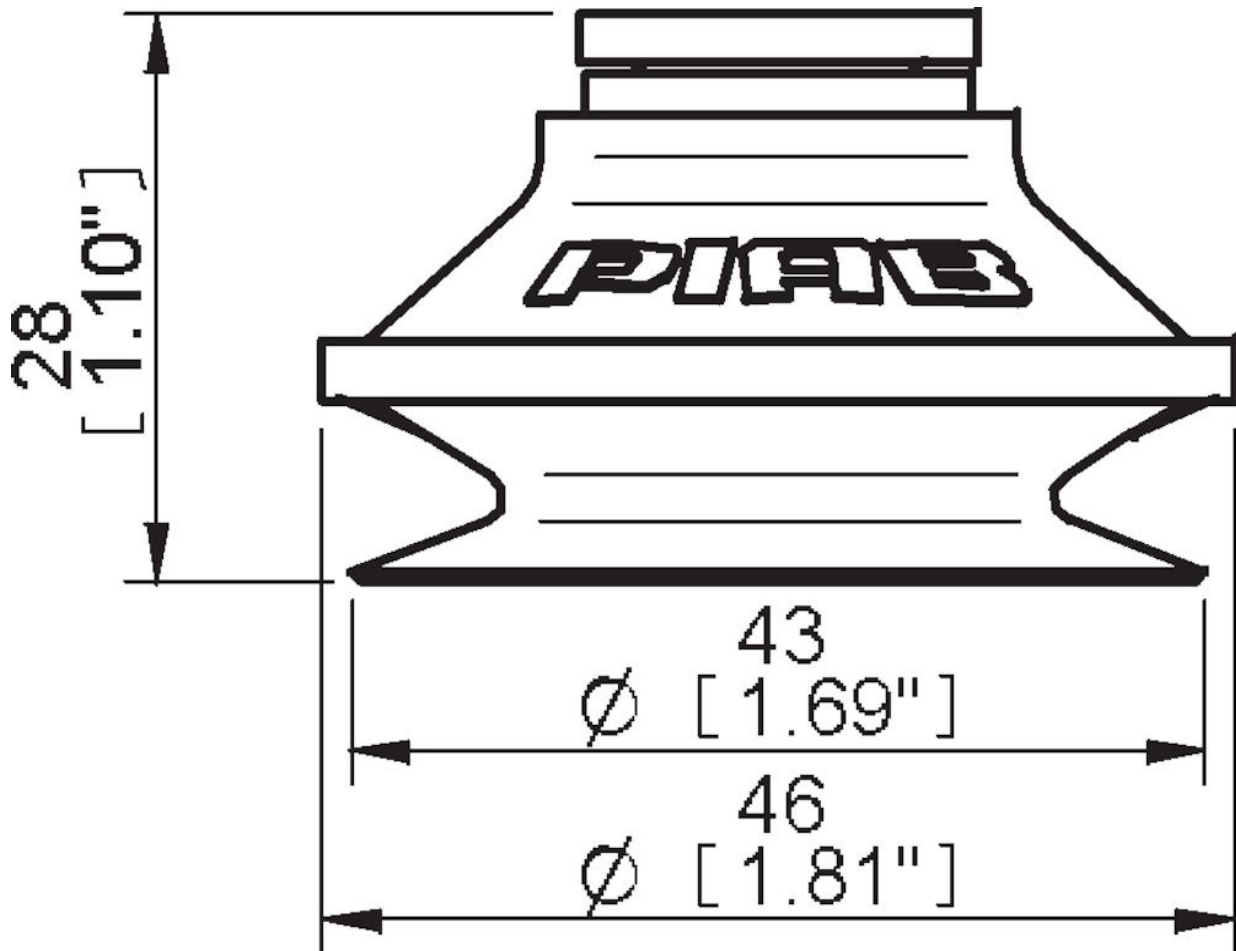
| B40 | Vertical (N) | Parallel (N) |
|---------|--------------|--------------|
| 20 -kPa | 22 | 17.1 |
| 60 -kPa | 39 | 26.3 |
| 90 -kPa | 49 | 30.5 |

| Material | |
|------------------------|------------------------------|
| Name | Silicone (SIL FDA) 50° Shore |
| Colour | Transparent |
| Temperature, min. °C | -40 |
| Temperature max. °C | 200 |
| Hardness °Shore A | 50 |

Material resistance

| | |
|--------------------|-----------|
| Alcohol | Good |
| Concentrated acids | Poor |
| Ethanol | n/a |
| Hydrolysis | Fair |
| Methanol | n/a |
| Oil | Poor |
| Oxidation | Excellent |
| Petrol | Poor |
| Wear resistance | Good |
| Weather and ozone | Excellent |

Dimensional drawings



Values specified in this data sheet are tested at (unless otherwise stated):

- Room temperature (20°C [68°F] ± 3°C [5.5°F]).
- Standard atmosphere (101.3 [29.9 inHg] ± 1.0 kPa [0.3 inHg]).
- Relative humidity 20-70%.
- Compressed air quality, DIN ISO 8573-1 class 4.

Accessories

0101153 | Fitting 1/8" NPSF female, 30–40, with mesh filter

3250091 | Fitting G1/4" male, 30–40, with mesh filter

3250093 | Fitting 1/4" NPT male, with mesh filter