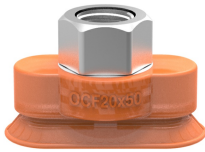


Suction cup OCF20×50 Polyurethane 60, G3/8" female

Article number: 0207727



- Special designed friction cups for oily surfaces, such as sheets in metal forming processes.
- Normal wear on friction cup will not affect the long term shear force performance.
- Best choice if > 0,1g/m² press oil is used on the sheet.
- Thanks to the strong grip on oily surfaces, the suction cups can withstand high shear forces, typically 2–4 times more than corresponding conventional suction cups.
- The "OCF" design is suitable for oblong objects with slightly curved or flat surfaces.
- DURAFLEX® suction cups manufactured in a specially developed material that features the elasticity of rubber and wear resistance of polyurethane. The material does not leave any marks on the objects handled.

Technical data

| Description | Unit | Value |
|-------------------------|-----------------|----------------------------|
| Suction cup shape | - | Concave |
| Application | - | Oily sheet metal |
| Suction cup design | - | Oval |
| Characteristics | - | Oily sheet metal |
| Material | - | Polyurethane (PU) |
| Weight, min. | g | 29 |
| Suction cup model | - | OCF-P |
| Volume | cm ³ | 3.8 |
| Height | mm | 29.8 |
| Length | mm | 53.9 |
| Fitting size | - | 3/8" |
| Fitting option | - | None |
| Fitting style | - | Female |
| Fitting type | - | G-thread |
| Width | mm | 23.9 |
| Length, actuated | mm | 56 |
| Width, actuated | mm | 26.5 |
| Fitting material | - | Al |
| Suction cup model | - | OCF20x50P Oily metal sheet |
| Movement, vertical max. | mm | 3 |
| Curve radius, min. | mm | 20 |
| Suction cup model | - | OCF20x50P Dry metal sheet |
| Movement, vertical max. | mm | 3 |
| Curve radius, min. | mm | 20 |

Performance - Lifting forces

| | Vertical (N) | Parallel (N) |
|----------------------------|--------------|--------------|
| OCF20x50P Oily metal sheet | | |
| 60 -kPa | 45 | 28 |
| 90 -kPa | 65 | 35 |
| OCF20x50P Dry metal sheet | | |
| 60 -kPa | 51 | 57 |
| 90 -kPa | 72 | 72 |

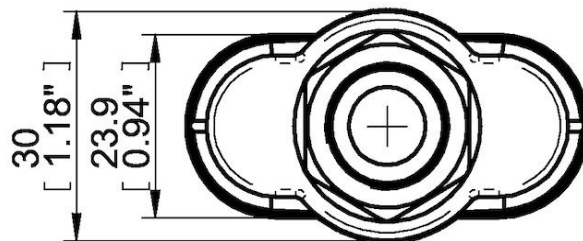
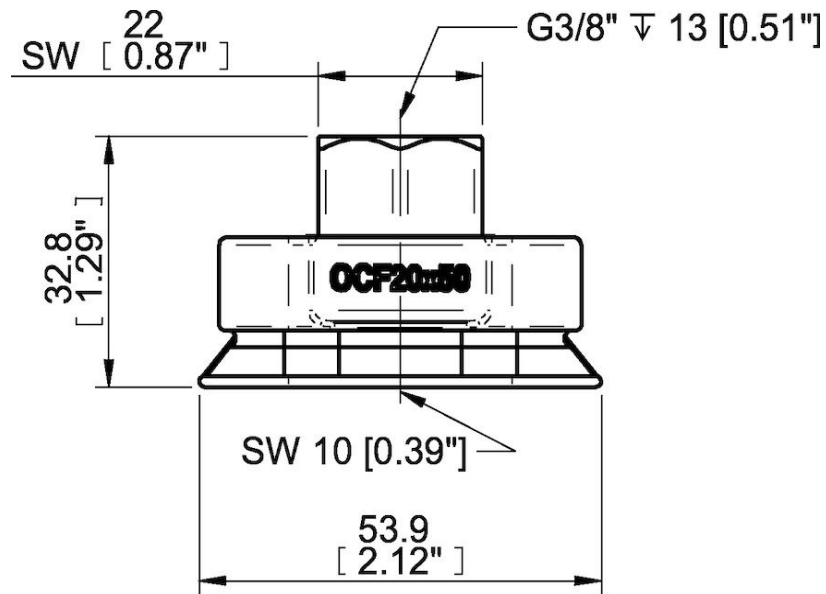
Material

| | |
|------------------------|---------------------|
| Name | Polyurethane (PU60) |
| Colour | Orange |
| Temperature, min. °C | 10 |
| Temperature max. °C | 50 |
| Hardness °Shore A | 60 |

Material resistance

| | |
|--------------------|-----------|
| Alcohol | n/a |
| Concentrated acids | Fair |
| Ethanol | Fair |
| Hydrolysis | Fair |
| Methanol | Poor |
| Oil | Excellent |
| Oxidation | Poor |
| Petrol | Fair |
| Wear resistance | Excellent |
| Weather and ozone | Excellent |

Dimensional drawings



Values specified in this data sheet are tested at (unless otherwise stated):

- Room temperature (20°C [68°F] ± 3°C [5.5°F]).
- Standard atmosphere (101.3 [29.9 inHg] ± 1.0 kPa [0.3 inHg]).
- Relative humidity 20-70%.
- Compressed air quality, DIN ISO 8573-1 class 4.