

John Guest MDPE Compression Straight Coupling

Securely and quickly connects two MDPE pipes of equal diameter

Overview

John Guest MDPE Compression Straight Coupling is designed to provide a secure and reliable connection between two lengths of MDPE pipe.

Manufactured with a compact and durable design, this fitting is suited for cold water service installations where system extension or modification is required, including in-ground applications and confined spaces.

Supplied pre-assembled and installation-ready, it offers a quick and efficient solution without the need for specialist tools or heat-based joining methods. The demountable connection makes it easy to work with in the ground during maintenance or alteration of an existing setup.

Features & Benefits

- Durable MDPE Compression Straight Coupling
- Same-size pipe connection securely joins two MDPE pipes of the same diameter in a straight-line configuration
- Strong compression connection for a leak-free joint without the need for heat or chemicals
- Quick and easy to install and demount without the need for specialist tools
- High-grade polypropylene body for durability and high impact resistance
- Corrosion-resistant and inhibits biological growth, making it suitable for outdoor and underground use
- Compatible with MDPE pipes only
- Suitable for cold water use only



Product code	Description	Bag QTY
UGCF0420	John Guest MDPE Compression Straight Coupling - 20mm	15
UGCF0425	John Guest MDPE Compression Straight Coupling - 25mm	15
UGCF0432	John Guest MDPE Compression Straight Coupling - 32mm	10



John Guest MDPE Compression Straight Coupling

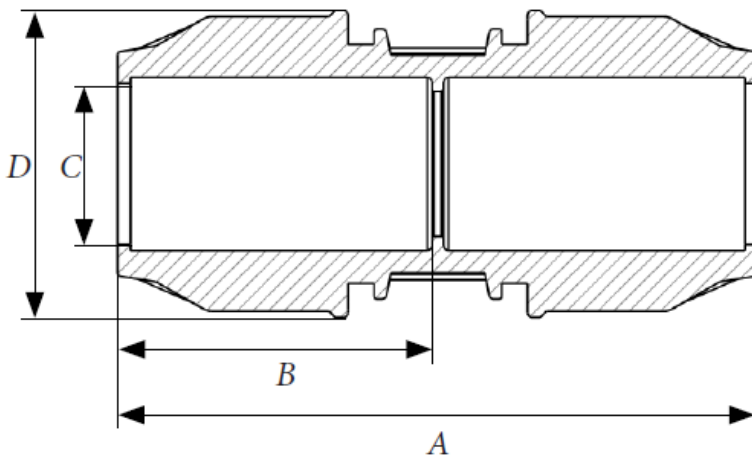
Operating Pressure & Temperature

Fittings are suitable for working pressures up to 16 bar at 20°C

Materials

Body	Polypropylene Copolymer (PP-B)
O-Ring	Nitrile rubber (NBR 70)
Insert Sleeve	Polypropylene Copolymer (PP-B)
Split Ring	Polyacetal (POM)
Compression Nut	Polypropylene Copolymer (PP-B)

Dimensions – All measurements in mm unless otherwise stated



Product Code	Size	A	B	C	D
UGCF0420	20mm	101.0	49.0	22.0	46.0
UGCF0425	25mm	106.5	52.5	27.0	52.0
UGCF0432	32mm	127.5	62.0	33.5	62.5