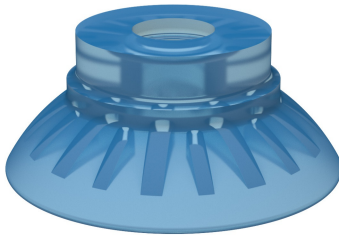


Suction cup FC35P Polyurethane 50

Article number: 0103290



- Suitable for slightly domed and flat and oily surfaces, e.g., such as those encountered when handling steel sheets in press processes.
- Thanks to the high friction of the rubber material, the suction cups can withstand high forces at rapid accelerations in horizontal directions, even on oily surfaces.
- The suction cups have cleats that prevent thin objects from being disfigured.
- DURAFLEX® suction cups manufactured in a specially developed material that features the elasticity of rubber and wear resistance of polyurethane. The material does not leave any marks on the objects handled.

Technical data

Description	Unit	Value
Suction cup shape	-	Flat Concave
Application	-	Dry sheet metal, Mark Free
Suction cup design	-	Round
Characteristics	-	Dry sheet metal, Mark free
Material	-	Polyurethane (PU)
Weight, min.	g	6
Suction cup model	-	FC
Volume	cm ³	5
Height	mm	15
Outer diameter, min.	mm	35
Fitting size	-	None
Fitting option	-	None
Fitting style	-	None
Fitting type	-	None
Suction cup model	-	FC35P PU50
Movement, vertical max.	mm	4
Curve radius, min.	mm	32

Performance - Lifting forces

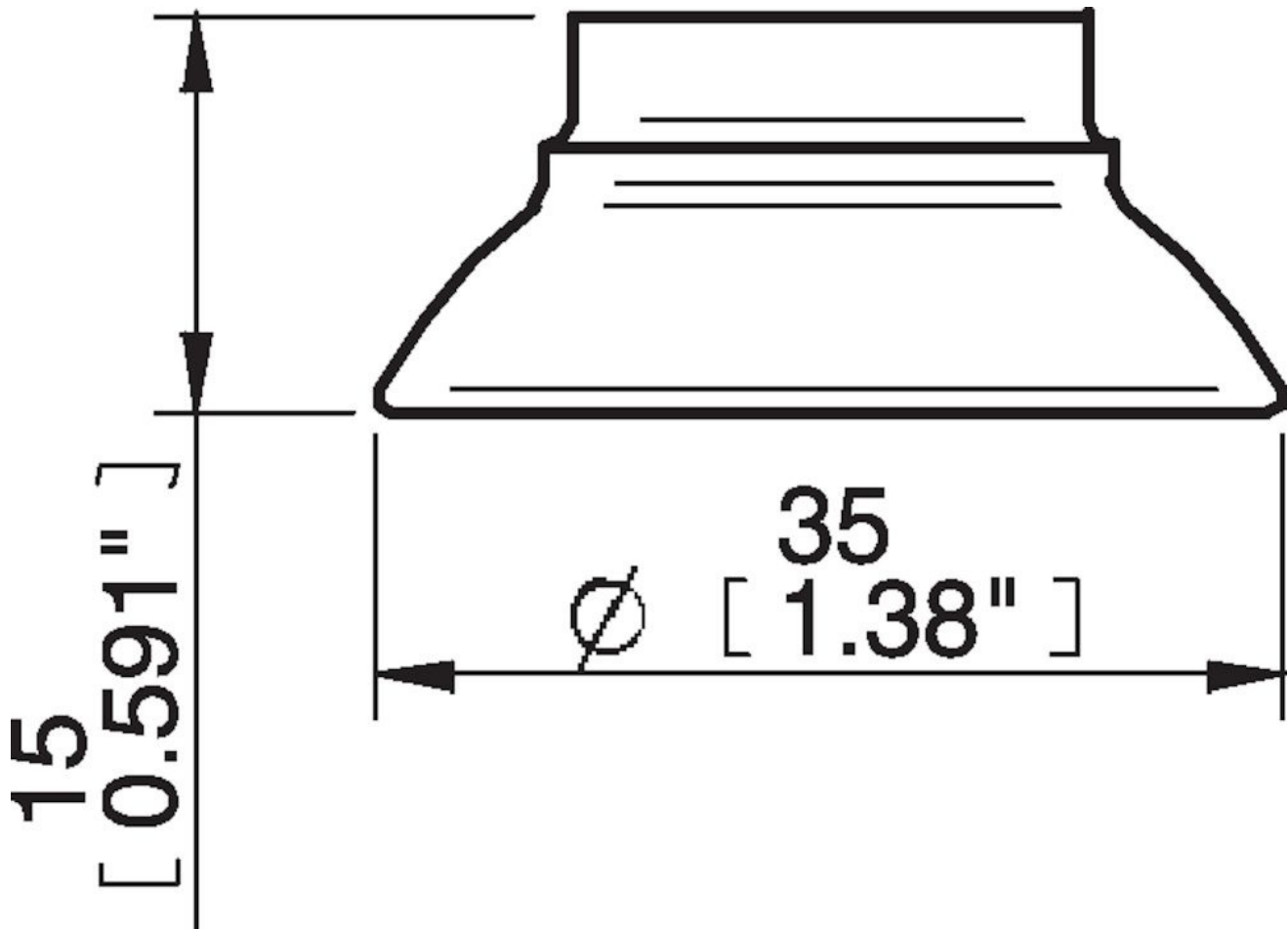
FC35P PU50	Vertical (N)	Parallel (N)
20 -kPa	11	27
60 -kPa	36	51
90 -kPa	51	62

Material	
Name	Polyurethane (PU50)
Colour	Blue transparent
Temperature, min. °C	10
Temperature max. °C	50
Hardness °Shore A	50

Material resistance

Alcohol	n/a
Concentrated acids	Fair
Ethanol	Fair
Hydrolysis	Fair
Methanol	Poor
Oil	Excellent
Oxidation	Poor
Petrol	Fair
Wear resistance	Excellent
Weather and ozone	Excellent

Dimensional drawings



Values specified in this data sheet are tested at (unless otherwise stated):

- Room temperature (20°C [68°F] ± 3°C [5.5°F]).
- Standard atmosphere (101.3 [29.9 inHg] ± 1.0 kPa [0.3 inHg]).
- Relative humidity 20-70%.
- Compressed air quality, DIN ISO 8573-1 class 4.

Accessories

0100261 | Fitting 5x1/8" NPSF female, 30–40

0101153 | Fitting 1/8" NPSF female, 30–40, with mesh filter

3250005 | Fitting 1/8" NPSF female, 30–40

3250086 | Fitting G3/8" male, 30–40, with mesh filter

3250089 | Fitting 3/8" NPT male, with mesh filter

3250091 | Fitting G1/4" male, 30–40, with mesh filter

3250093 | Fitting 1/4" NPT male, with mesh filter

3251006 | Fitting 1/8" NPSF female, 30–40, with dual flow control valve

3251007 | Fitting G1/4" male, 30–40, with mesh filter and dual flow control valve

3251008 | Fitting 1/4" NPT male, with dual flow control valve

3251009 | Fitting G3/8" male, 30–40, with mesh and dual flow control valve

3251010 | Fitting 3/8" NPT male, with dual flow control valve

3251011 | Fitting 5x1/8" NPSF female, 30–40, with dual flow control valve