

## Height adjuster HA25

Article number: 0121122

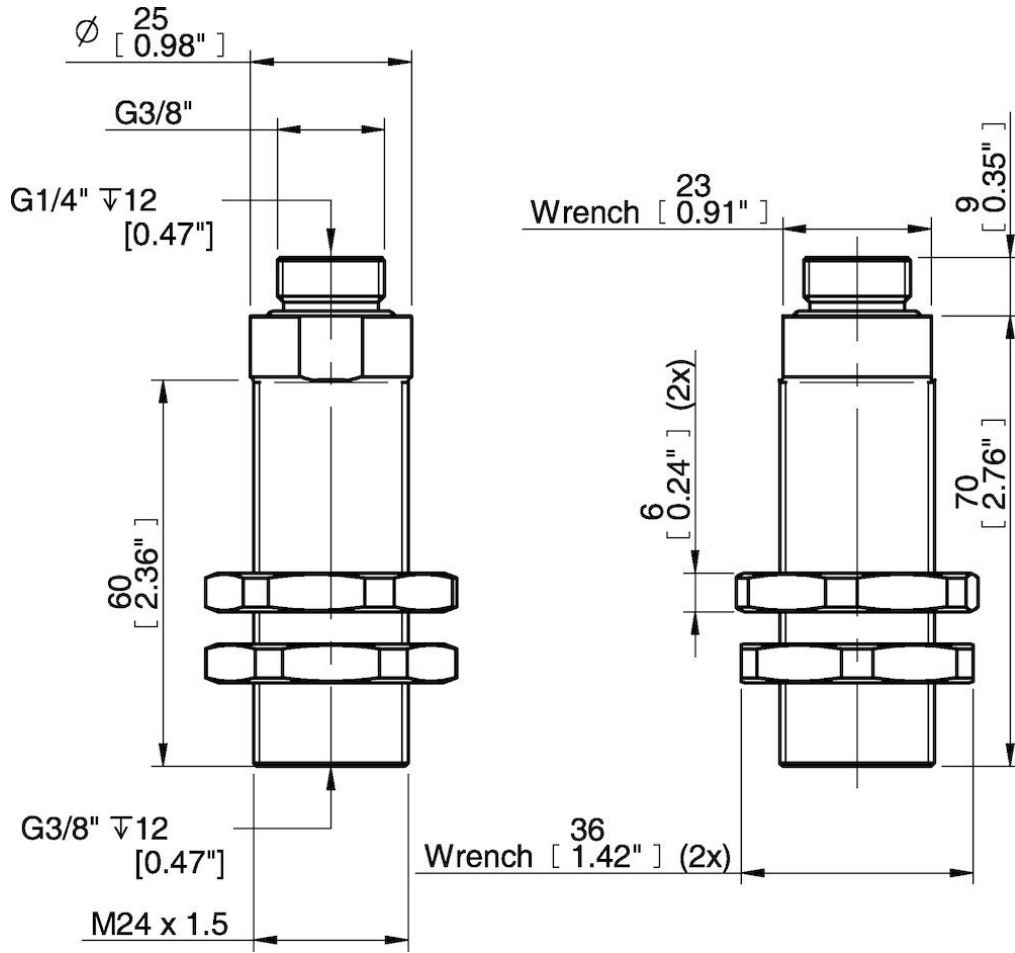


- Facilitates the positioning (y-direction) of a suction cup.
- Provides an adjustable height extension between a mounting bracket (MB) and a suction cup.
- Can be used with a suction cup / rod extension to further elongate the cup position.
- Key handle to avoid rotation when connecting vacuum ports.

### Technical data

| Description            | Unit            | Value                    |
|------------------------|-----------------|--------------------------|
| Material               | -               | Al, Nitrile (NBR), Steel |
| Load, horizontal, max. | N               | 223                      |
| Load, vertical, max.   | N               | 319                      |
| Temperature, max.      | °C              | 70                       |
| Temperature, min.      | °C              | -30                      |
| Weight, min.           | g               | 130                      |
| Volume                 | cm <sup>3</sup> | 32                       |
| Action range/Stroke    | mm              | 48                       |

Dimensional drawings



Accessories

0121240 | Adapter fitting G3/8" male x 3/8" NPT male