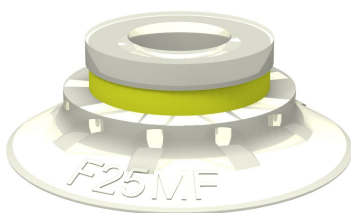


## Suction cup F25MF Thermoelastic polyurethane

Article number: 0101140

- Suction cup of TPU, a mark free material that leaves no trace on the object being handled.
- Suitable for flat surfaces.
- Good stability and little inherent movement.
- Recommended when the lifting force is parallel to the surface of the object.



### Technical data

Description	Unit	Value
Suction cup shape	-	Flat
Application	-	Mark Free
Suction cup design	-	Round
Characteristics	-	Mark free
Material	-	TPE
Weight, min.	g	1.7
Suction cup model	-	F-MF
Volume	cm <sup>3</sup>	1.1
Height	mm	9
Outer diameter, min.	mm	27
Outer diameter, actuated	mm	27.9
Fitting size	-	None
Fitting option	-	None
Fitting style	-	None
Fitting type	-	None
Suction cup model	-	F25MF
Movement, vertical max.	mm	1.2
Curve radius, min.	mm	23

### Performance - Lifting forces

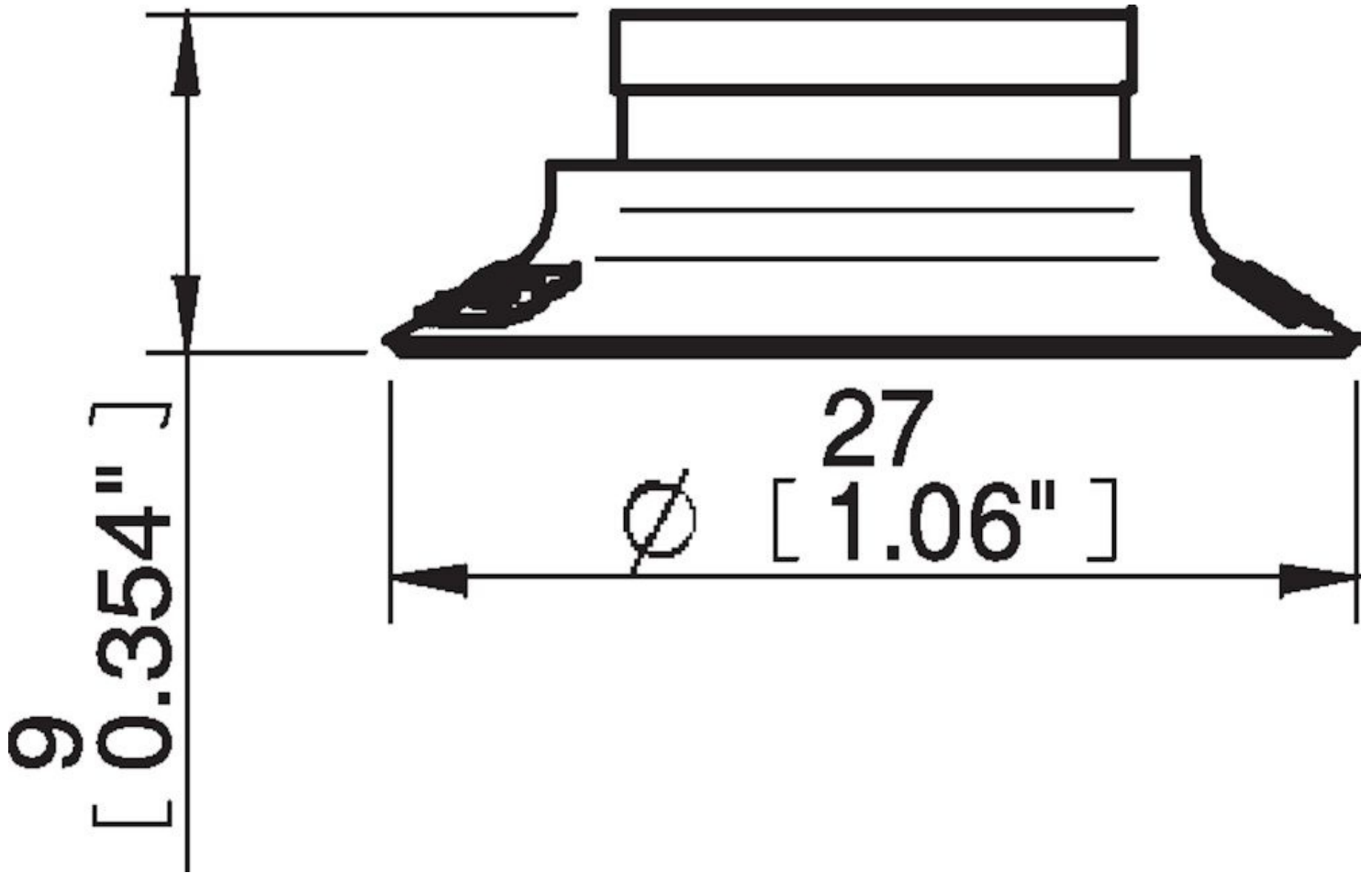
F25MF	Vertical (N)	Parallel (N)
20 -kPa	6.3	9
60 -kPa	24.5	24.5
90 -kPa	35.5	36.3

Material	
Name	Thermoplastic Polyurethane (TPE-U)
Colour	White transparent
Temperature, min.   °C	-20
Temperature max.   °C	80
Hardness   °Shore A	81

#### Material resistance

Alcohol	Good
Concentrated acids	Poor
Ethanol	n/a
Hydrolysis	Poor
Methanol	n/a
Oil	Excellent
Oxidation	Good
Petrol	Poor
Wear resistance	Excellent
Weather and ozone	Excellent

#### Dimensional drawings



#### Values specified in this data sheet are tested at (unless otherwise stated):

- Room temperature (20°C [68°F] ± 3°C [5.5°F]).
- Standard atmosphere (101.3 [29.9 inHg] ± 1.0 kPa [0.3 inHg]).
- Relative humidity 20-70%.
- Compressed air quality, DIN ISO 8573-1 class 4.

## Accessories

0100260 | Fitting 5xM5 female

0101152 | Fitting G1/8" male/M5 female, with mesh filter

3150196 | Fitting G1/8" male/M5 female, PA

3250003 | Fitting M5 female

3250004 | Fitting G1/8" male/M5 female

3250085 | Fitting G1/8" male, with mesh filter

3250088 | Fitting 1/8" NPT male, with mesh filter

3251001 | Fitting M5 female, with dual flow control valve

3251004 | Fitting G1/8" male/M5 female, with dual flow control valve

3251005 | Fitting 5xM5 female, with dual flow control valve