

Suction cup BX20P Polyurethane 60

Article number: 0124249



- Suitable for level adjustment and for uneven and porous surfaces such as cardboard, etc.
- In the two-coloured suction cup the bellows and the sealing lip are of different hardnesses, which makes the suction cup strong and stable and, at the same time, soft and flexible.
- DURAFLEX® suction cups manufactured in a specially developed material that features the elasticity of rubber and wear resistance of polyurethane.
- The material DURAFLEX® is mark free.

Technical data

Description	Unit	Value
Suction cup shape	-	Multibellows
Application	-	Dry sheet metal, Corrugated cardboard/Paperboard, Mark Free, Plastic injection molded parts
Suction cup design	-	Round
Characteristics	-	Dry sheet metal, Corrugated / cardboard, Mark free, Plastic injection molded parts
Material	-	Polyurethane (PU)
Weight, min.	g	1.43
Suction cup model	-	BX-P
Volume	cm ³	1.16
Height	mm	15.2
Outer diameter, min.	mm	21
Fitting size	-	None
Fitting option	-	None
Fitting style	-	None
Fitting type	-	None
Suction cup model	-	BX20P PU60
Movement, vertical max.	mm	7.5
Curve radius, min.	mm	8.5

Performance - Lifting forces

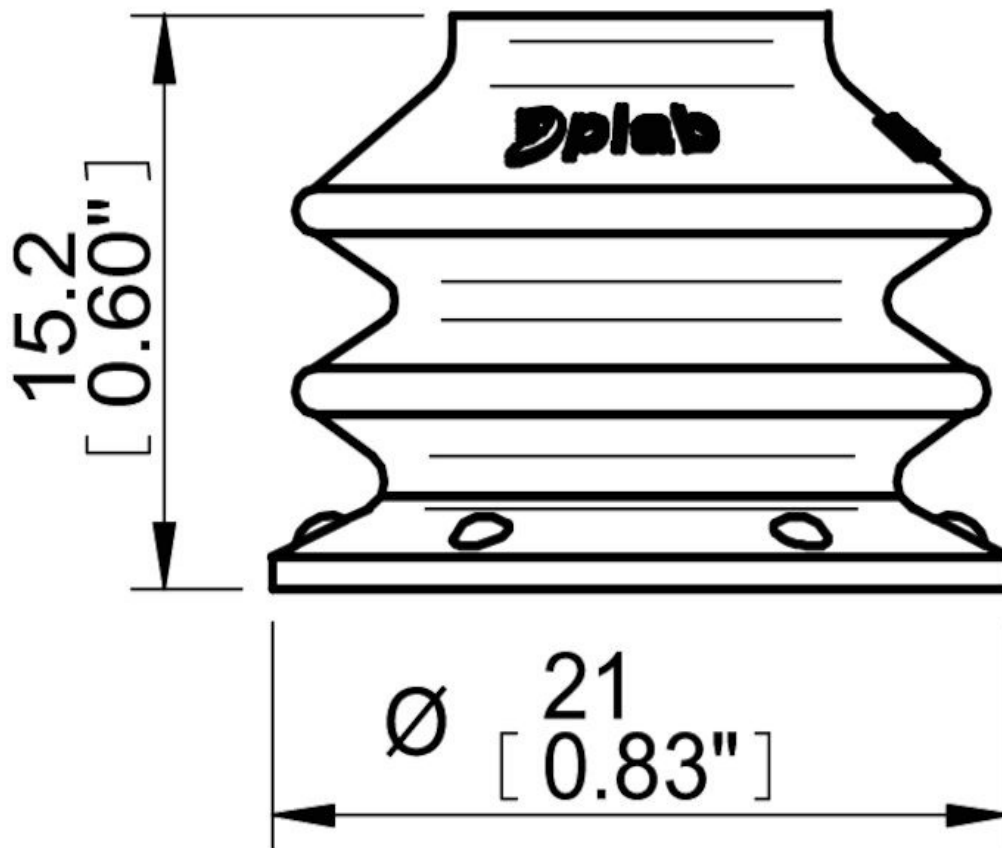
BX20P PU60	Vertical (N)	Parallel (N)
20 -kPa	4.8	1.93
60 -kPa	7	5.18
90 -kPa	11	6.13

Material	
Name	Polyurethane (PU60)
Colour	Green transparent
Temperature, min. °C	10
Temperature max. °C	50
Hardness °Shore A	60

Material resistance

Alcohol	n/a
Concentrated acids	Fair
Ethanol	Fair
Hydrolysis	Fair
Methanol	Poor
Oil	Excellent
Oxidation	Poor
Petrol	Fair
Wear resistance	Excellent
Weather and ozone	Excellent

Dimensional drawings



Values specified in this data sheet are tested at (unless otherwise stated):

- Room temperature (20°C [68°F] ± 3°C [5.5°F]).
- Standard atmosphere (101.3 [29.9 inHg] ± 1.0 kPa [0.3 inHg]).
- Relative humidity 20-70%.
- Compressed air quality, DIN ISO 8573-1 class 4.

Accessories

0100260 | Fitting 5xM5 female

0101152 | Fitting G1/8" male/M5 female, with mesh filter

3250003 | Fitting M5 female

3250085 | Fitting G1/8" male, with mesh filter

3250088 | Fitting 1/8" NPT male, with mesh filter

3251004 | Fitting G1/8" male/M5 female, with dual flow control valve