

# Full Flow Gas Ball Valves London®

## 266

LONDON®  
BALL VALVE,  
FULL FLOW



SIZE	PRESSURE	CODE	PACKING
1/4" (DN 8)	5bar/72,5psi	IT266-14	12/156
3/8" (DN 10)	5bar/72,5psi	IT266-38	12/156
1/2" (DN 15)	5bar/72,5psi	IT266-12	10/80
3/4" (DN 20)	5bar/72,5psi	IT266-34	8/64
1" (DN 25)	5bar/72,5psi	IT266-1	6/48
1 1/4" (DN 32)	5bar/72,5psi	IT266-114	4/24
1 1/2" (DN 40)	5bar/72,5psi	IT266-112	2/18
2" (DN 50)	5bar/72,5psi	IT266-2	2/14

### TECHNICAL SPECIFICATIONS

#### EN 331 APPROVED.

Female/female threads.

Body in nickel-plated brass.

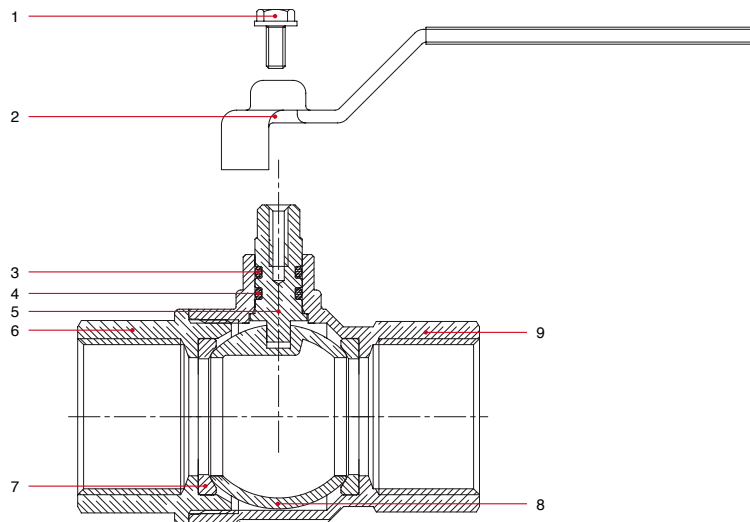
Flat lever handle in lined steel.

Minimum and maximum working temperatures: -20°C, 60°C.

Female thread ISO 7/1 Rp parallel

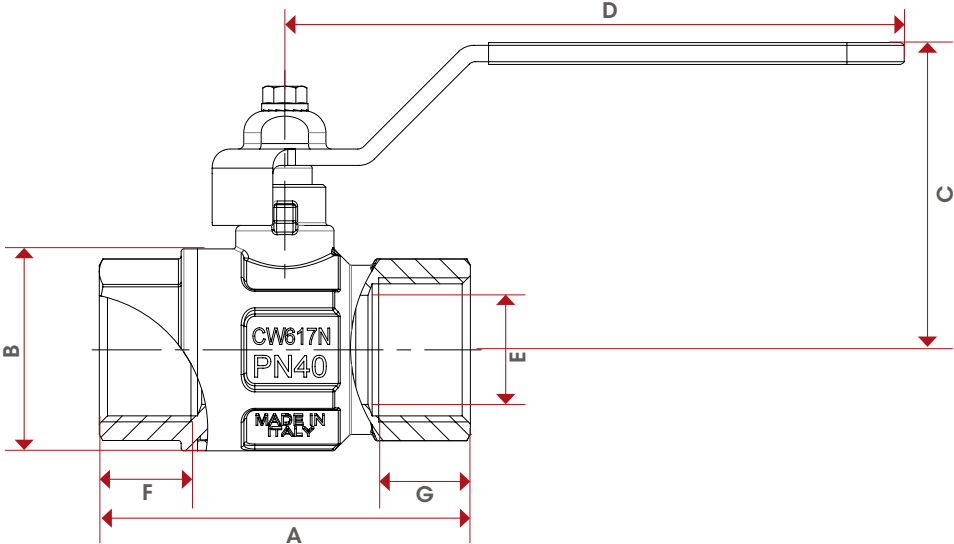
(equivalent to DIN EN 10226-1 and BS EN 10226-1).

### MATERIALS



POS.	DESCRIPTION	N.	MATERIAL
1	Screw	1	Zinc-plated steel Fe CB4
2	Flat lever handle	1	Zinc-plated and plastic coated steel Fe.P04
3	O-Ring	1	VITON®
4	O-Ring	1	NBR
5	Stem	1	Brass CW614N
6	End adapter	1	Nickel-plated brass CW617N
7	Seat	2	P.T.F.E.
8	Ball	1	Chrome-plated brass CW617N
9	Body	1	Nickel-plated brass CW617N

OVERALL DIMENSIONS



	1/4"	3/8"	1/2"	3/4"	1"	1 1/4"	1 1/2"	2"
DN	8	10	15	20	25	32	40	50
A	49,5	52,4	61	68	85	99,5	109	130
B	23,5	24	30,5	37	45,5	58	71	85
C	41,8	41,8	50,3	56,3	60,3	76,3	91,8	98,8
D	85,5	85,5	92,5	113,5	113,5	138	158	158
E	10	10	15	20	25	32	40	50
F	11	11,4	15	16,3	19,1	21,4	21,4	25,7
CH	18	21	25	31	38	47	54	66
Kg/cm <sup>2</sup> bar	5	5	5	5	5	5	5	5
LBS - psi	72,5	72,5	72,5	72,5	72,5	72,5	72,5	72,5

CERTIFICATIONS

