

John Guest MDPE Compression Wall Plate Elbow

Securely and quickly allows for the surface mounting of an MDPE fitting with a BSP threaded outlet connection

Overview

John Guest MDPE Compression Wall Plate Elbow is designed to connect MDPE pipe to a Male BSP threaded fitting, such as a bib tap, at a 90° angle. It also allows for secure wall or surface mounting, making it ideal for outdoor taps and service connections.

Supplied pre-assembled and installation-ready, it offers a quick and efficient solution without the need for specialist tools or heat-based joining methods. The demountable connection makes it easy to work with in the ground during maintenance or alteration of an existing setup.

Features & Benefits

- Durable MDPE Compression Wall Plate Elbow
- Right-Angle transition, provides a precise 90° bend from MDPE pipe to a Male BSP threaded component via its Female BSP thread connection
- Wall-mountable design with integrated plate for secure attachment to external or internal flat surfaces
- Strong compression connection for a leak-free joint without the need for heat or chemicals
- Quick and easy to install and demount without the need for specialist tools
- High-grade polypropylene body for durability and high impact resistance
- Corrosion-resistant and inhibits biological growth, making it suitable for outdoor and underground use
- Compatible with MDPE pipes only
- Suitable for cold water use only



Product code	Description	Bag QTY
UGCF88WB2012BSP	John Guest MDPE Compression Wall Plate Elbow - 20mm x 1/2"	10
UGCF88WB2534BSP	John Guest MDPE Compression Wall Plate Elbow - 25mm x 3/4"	10



John Guest MDPE Compression Wall Plate Elbow

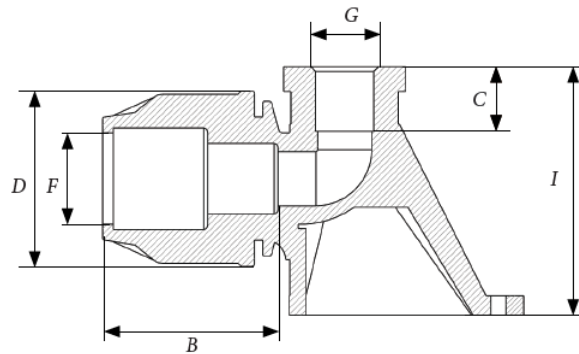
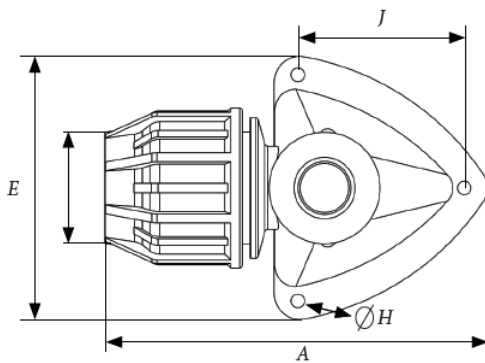
Operating Pressure & Temperature

Fittings are suitable for working pressures up to 16 bar at 20°C

Materials

Body	Polypropylene Copolymer (PP-B)
O-Ring	Nitrile rubber (NBR 70)
Insert Sleeve	Polypropylene Copolymer (PP-B)
Split Ring	Polyacetal (POM)
Compression Nut	Polypropylene Copolymer (PP-B)

Dimensions – All measurements in mm unless otherwise stated



Product Code	Size	A	B	C	D	E	F	G	H	I	J
UGCF88WB2012BSP	20mm x 1/2"	108.5	51.0	16.0	46.0	72.5	22.0	1/2"	4.5	70.0	49.5
UGCF88WB2534BSP	25mm x 3/4"	125.0	50.5	19.0	52.0	85.5	27.0	3/4"	4.5	73.5	64.0