

Datasheet

Vacuum pump CLASSIC H40, connection plate composite PPS(D), Viton® sealings

Article number: 0100194



- Higher vacuum levels to 99.8 -kPa
- Use with practically zero leakage present and non-porous applications
- Available with connection plate in composite PPS (D)

Technical data

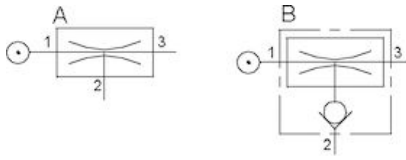
Description	Unit	Value
Material	-	PPS, SS, Viton®
Temperature, max.	°C	110
Temperature, min.	°C	-20
Weight, min.	g	885
Feed pressure, max.	MPa	0.7
Noise level, max.	dBA	65
Noise level, min.	dBA	60

Performance

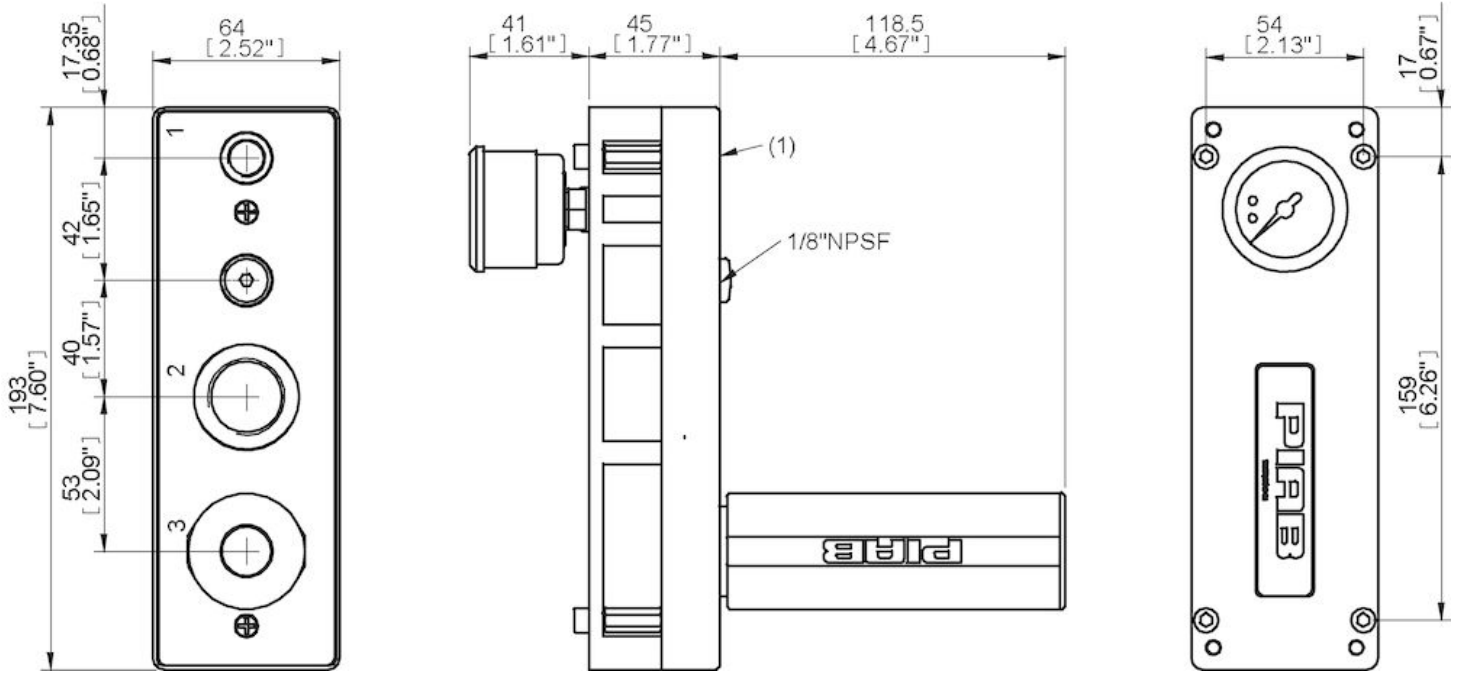
Feed pressure MPa	Air consumption NI/s	Vacuum flow (NI/s) at different vacuum levels (-kPa)														Max vacuum kPa
		0	10	20	30	40	50	60	70	75	80	90	95	99		
0.6	2.6	2.8	2.1	1.5	0.9	0.4	0.3	0.2	0.14	0	0.1	0.095	0.019	0.005	≥99.8	

Feed pressure MPa	Air consumption NI/s	Evacuation time (s/l) to reach different vacuum levels (-kPa)														Max vacuum kPa
		10	20	30	40	50	60	70	80	90	95	99	99.5	100.3		
0.6	2.6	0.032	0.075	0.15	0.32	0.64	1.1	1.7	2.6	3.9	5.5	9.8	12	0	≥99.8	

Dimensional drawings



	1	2	3
E	1/4"NPT	3/4"NPT	3/4"NPT



Values specified in this datasheet are tested at (unless otherwise stated):

- Room temperature (20°C [68°F] ± 3°C [5.5°F]).
- Standard atmosphere (101.3 [29.9 inHg] ± 1.0 kPa [0.3 inHg]).
- Compressed air quality, DIN ISO 8573-1 class 4.

Tolerance and accuracy:

- Feed pressure tolerance ±0.02 MPa [2.9 psi]
- Vacuum flow/evacuation time accuracy ±10%.

Spare parts

3201069 | Sealing kit CLASSIC, NBR

3201069V | Sealing kit CLASSIC, Viton®