

Suction cup B40MF Thermoelastic polyurethane

Article number: 0101113



- Suction cup of TPU, a mark free material that leaves no trace on the object being handled.
- Suitable for level adjustment.
- Lifting movement to separate small and thin objects.
- Only lightweight objects should be handled when the lifting force is parallel to the surface.

Technical data

Description	Unit	Value
Suction cup shape	-	Bellows
Application	-	Mark Free
Suction cup design	-	Round
Characteristics	-	Mark free
Material	-	TPE
Weight, min.	g	10
Suction cup model	-	B-MF
Volume	cm ³	15
Height	mm	28
Outer diameter, min.	mm	43
Fitting size	-	None
Fitting option	-	None
Fitting style	-	None
Fitting type	-	None
Suction cup model	-	B40MF
Movement, vertical max.	mm	12.5
Curve radius, min.	mm	22

Performance - Lifting forces

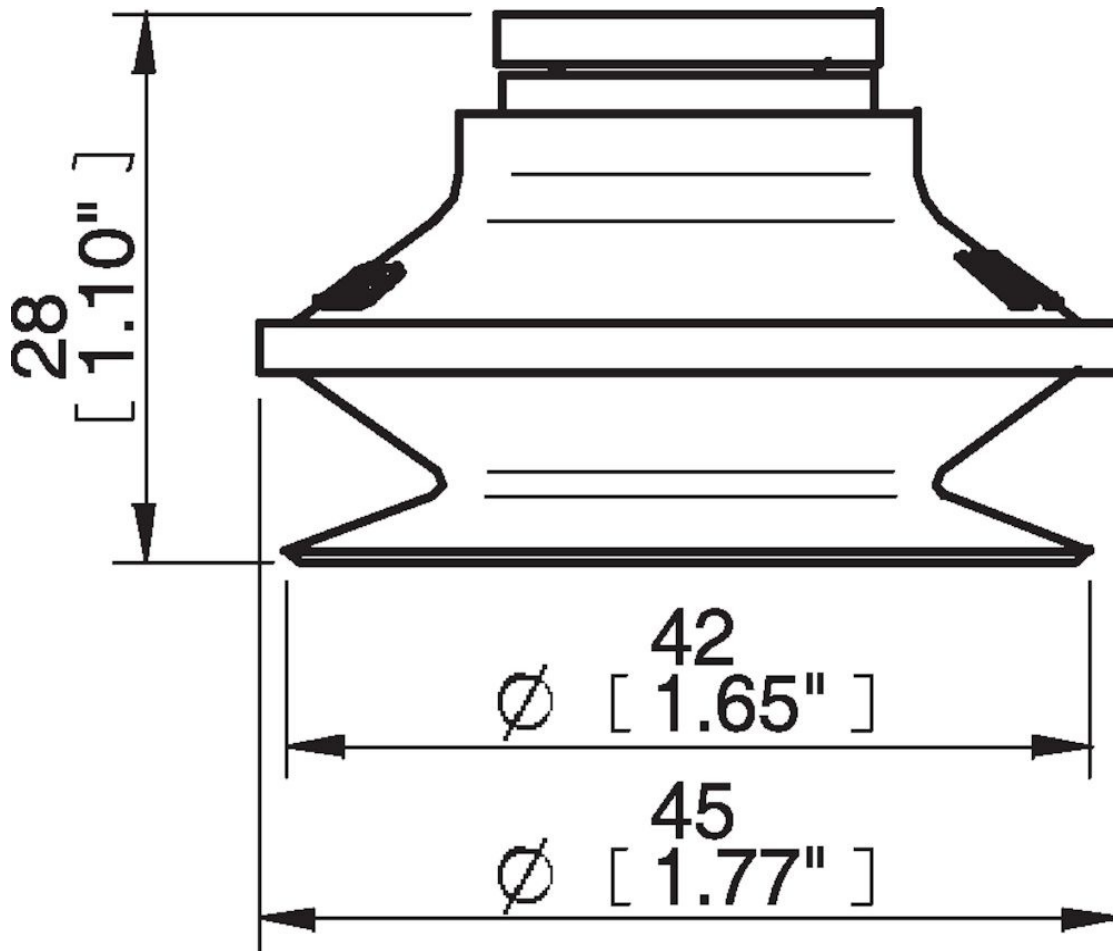
B40MF	Vertical (N)	Parallel (N)
20 -kPa	18	13.6
60 -kPa	57	40
90 -kPa	72	47

Material	
Name	Thermoplastic Polyurethane (TPE-U)
Colour	White transparent
Temperature, min. °C	-20
Temperature max. °C	80
Hardness °Shore A	81

Material resistance

Alcohol	Good
Concentrated acids	Poor
Ethanol	n/a
Hydrolysis	Poor
Methanol	n/a
Oil	Excellent
Oxidation	Good
Petrol	Poor
Wear resistance	Excellent
Weather and ozone	Excellent

Dimensional drawings



Values specified in this data sheet are tested at (unless otherwise stated):

- Room temperature (20°C [68°F] ± 3°C [5.5°F]).
- Standard atmosphere (101.3 [29.9 inHg] ± 1.0 kPa [0.3 inHg]).
- Relative humidity 20-70%.
- Compressed air quality, DIN ISO 8573-1 class 4.

Accessories

0100261 | Fitting 5x1/8" NPSF female, 30–40

0101153 | Fitting 1/8" NPSF female, 30–40, with mesh filter

3250005 | Fitting 1/8" NPSF female, 30–40

3250086 | Fitting G3/8" male, 30–40, with mesh filter

3250089 | Fitting 3/8" NPT male, with mesh filter

3250091 | Fitting G1/4" male, 30–40, with mesh filter

3250093 | Fitting 1/4" NPT male, with mesh filter

3251006 | Fitting 1/8" NPSF female, 30–40, with dual flow control valve

3251007 | Fitting G1/4" male, 30–40, with mesh filter and dual flow control valve

3251008 | Fitting 1/4" NPT male, with dual flow control valve

3251009 | Fitting G3/8" male, 30–40, with mesh and dual flow control valve

3251010 | Fitting 3/8" NPT male, with dual flow control valve

3251011 | Fitting 5x1/8" NPSF female, 30–40, with dual flow control valve