

Height adjuster HA20

Article number: 0200463



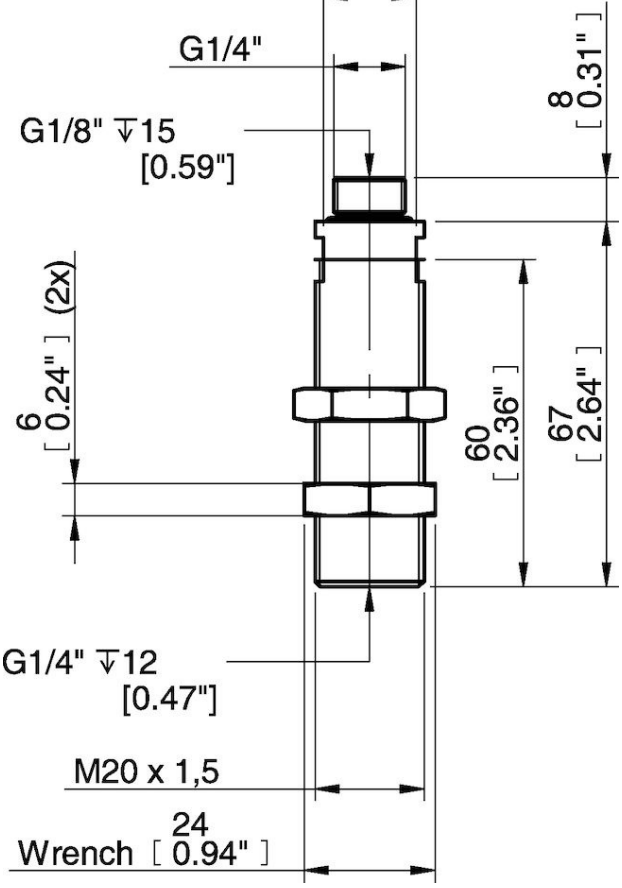
- Facilitates the positioning (y-direction) of a suction cup.
- Provides an adjustable height extension between a mounting bracket (MB) and a suction cup.
- Can be used with a suction cup / rod extension to further elongate the cup position.
- Key handle to avoid rotation when connecting vacuum ports.

Technical data

Description	Unit	Value
Material	-	Al, Nitrile (NBR), Steel
Load, horizontal, max.	N	150
Load, vertical, max.	N	214
Temperature, max.	°C	60
Temperature, min.	°C	-20
Weight, min.	g	60
Volume	cm ³	3.6
Action range/Stroke	mm	50
Tightening torque, max.	Nm	30
Tightening torque, min.	Nm	16

Dimensional drawings

Dimensional drawings
Wrench [0.67"]



17
Wrench [0.67"]

